

# Berry Park

## Dressing Instructions

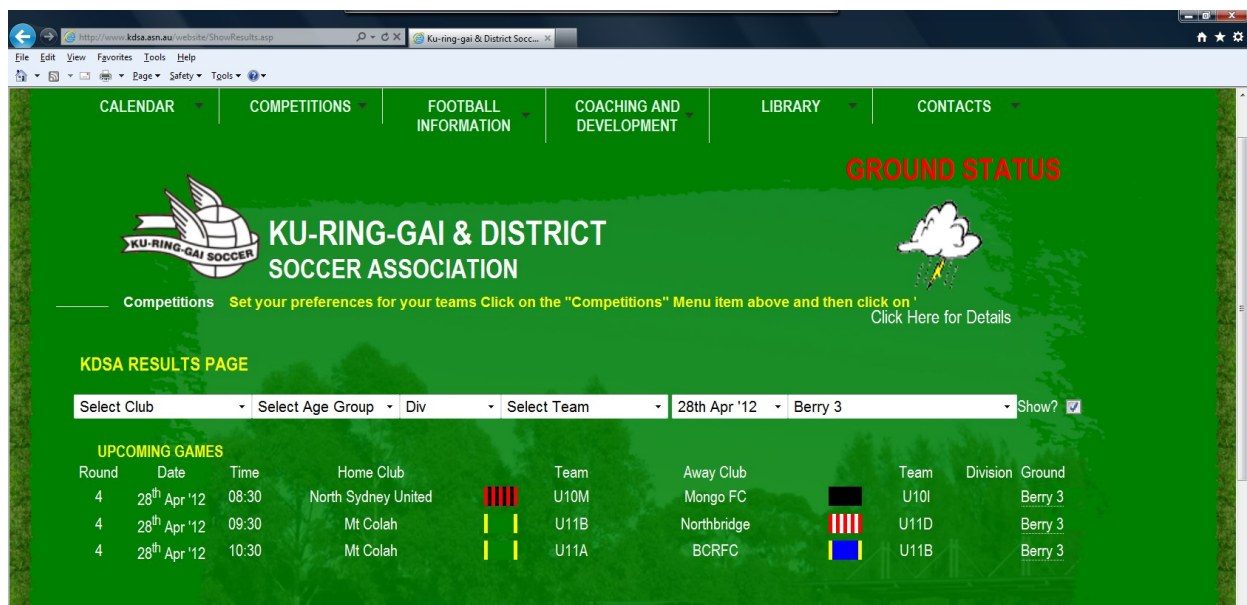
### Roster Days

Berry Park field generally needs to be dressed/undressed only on Saturdays.

### Start/Finish times

Match times can be found by using the KDSA Results Page-

- Leave all the drop-down boxes empty except 'Date' and "Select Field".
- Check times for all three Berry fields (1, 2 and 3).



The screenshot shows the KDSA Results Page website. The navigation menu includes CALENDAR, COMPETITIONS, FOOTBALL INFORMATION, COACHING AND DEVELOPMENT, LIBRARY, and CONTACTS. The main header features the Ku-ring-gai & District Soccer Association logo and a "GROUND STATUS" section with a cloud and lightning bolt icon. Below the header, there is a "KDSA RESULTS PAGE" section with a search form containing dropdown menus for "Select Club", "Select Age Group", "Div", "Select Team", "28th Apr '12", and "Berry 3", along with a "Show?" checkbox. The "UPCOMING GAMES" table is as follows:

| Round | Date                     | Time  | Home Club           | Team | Away Club   | Team | Division | Ground |
|-------|--------------------------|-------|---------------------|------|-------------|------|----------|--------|
| 4     | 28 <sup>th</sup> Apr '12 | 08:30 | North Sydney United | U10M | Mongo FC    | U10I | Berry 3  |        |
| 4     | 28 <sup>th</sup> Apr '12 | 09:30 | Mt Colah            | U11B | Northbridge | U11D | Berry 3  |        |
| 4     | 28 <sup>th</sup> Apr '12 | 10:30 | Mt Colah            | U11A | BCRFC       | U11B | Berry 3  |        |

- One person should be able to dress in less than an hour, so for an 8.30am kick-off, a 7.30am start is recommended. More helpers = more sleep-in!
- Undressing the field can commence immediately at the end of the final match - about an hour after kick-off time
- The field needs to be dressed and undressed regardless of whether there is a Mt Colah team playing.

## Keys

The keys for Berry Park are locked in a key safe, mounted on the side of the letter-box – the address will be sent to you via email. The key safe is opened using the combination that will be emailed to you by the Grounds Coordinator in the week preceding your rostered weekend.

## Key-safe Instructions

1. Enter the code (if you make a mistake, slide down the 'CLEAR' button and re-enter the code).
2. Pull down the 'OPEN' button at the top of the key safe.
3. The lid will open. Remove/replace the keys.
4. To replace the lid, re-enter the combination and place it back into position.

## What to unlock

1. Disable Toilet / Net Store / Lights – Key #A16
2. Toilets – Key #A16
3. **Ambulance Gate** on Berowra Rd – Key #A21 **VERY IMPORTANT**

Ensure all door and gate latches are locked in the 'open' position using the padlocks. That way, the padlocks won't get lost and nobody can 'accidentally' trap someone in the toilets.

## Dressing the Grounds

- You will need:
- The wheely-bin containing 6 x nets and Velcro straps
  - The bucket containing the pegs and hammer
  - 12 x corner flags.

### Berry 1 & 2

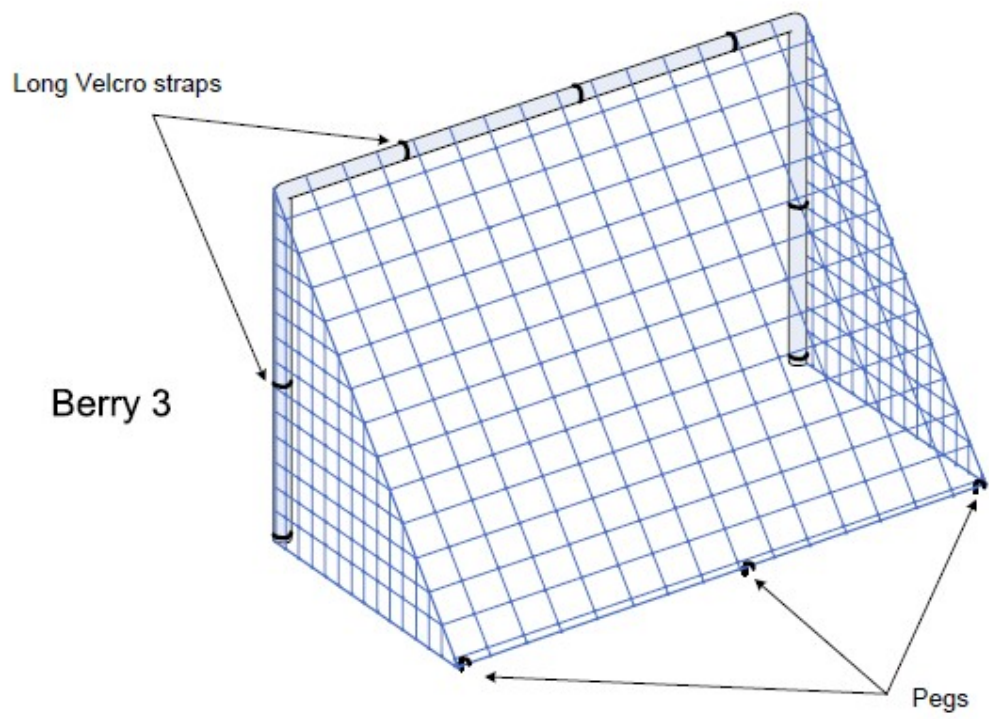
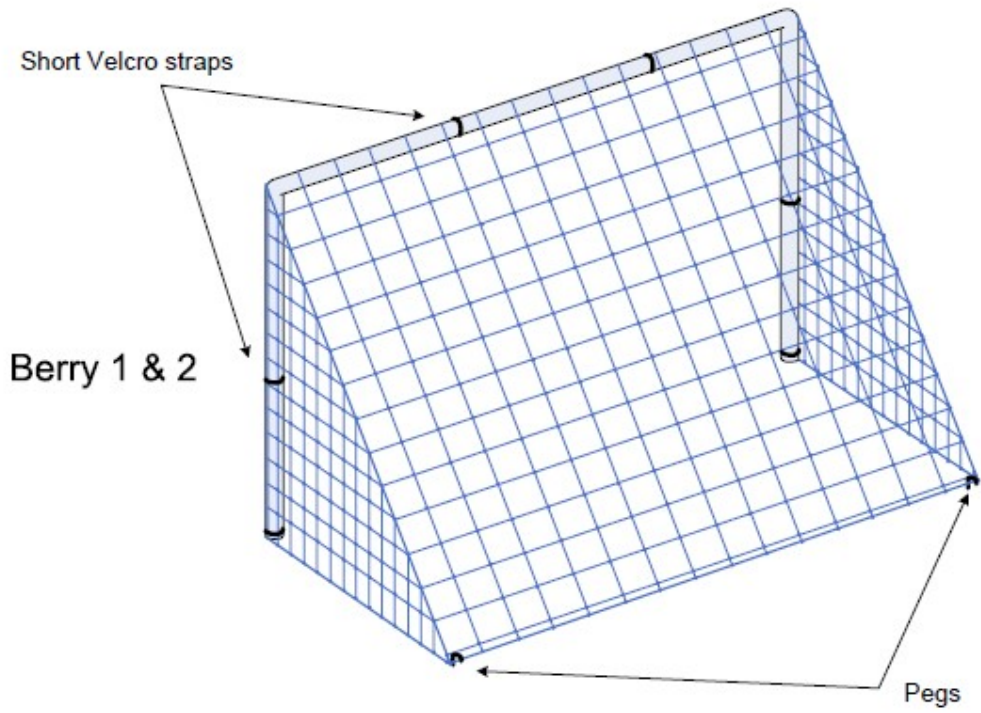
- 4 x smaller nets fitted to the goalposts.
- One edge of the side netting is longer than the other edge – the longer edge runs vertically, the shorter edge horizontally along the ground
- Hook net corners over the posts
- **Shorter** Velcro straps close all gaps between the net and posts (important!) – 2 per crossbar, 2 per post.
- Pegs in each lower corner of the net.
- Corner flags positioned as per the diagram below
- A final check of the field for rubbish, sticks, rocks... and doggy-doo!

### Berry 3

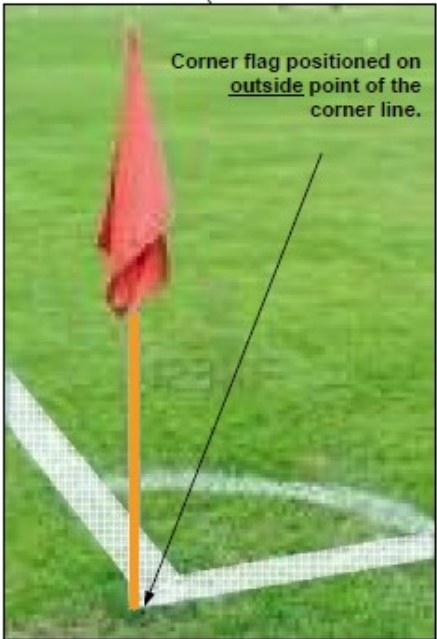
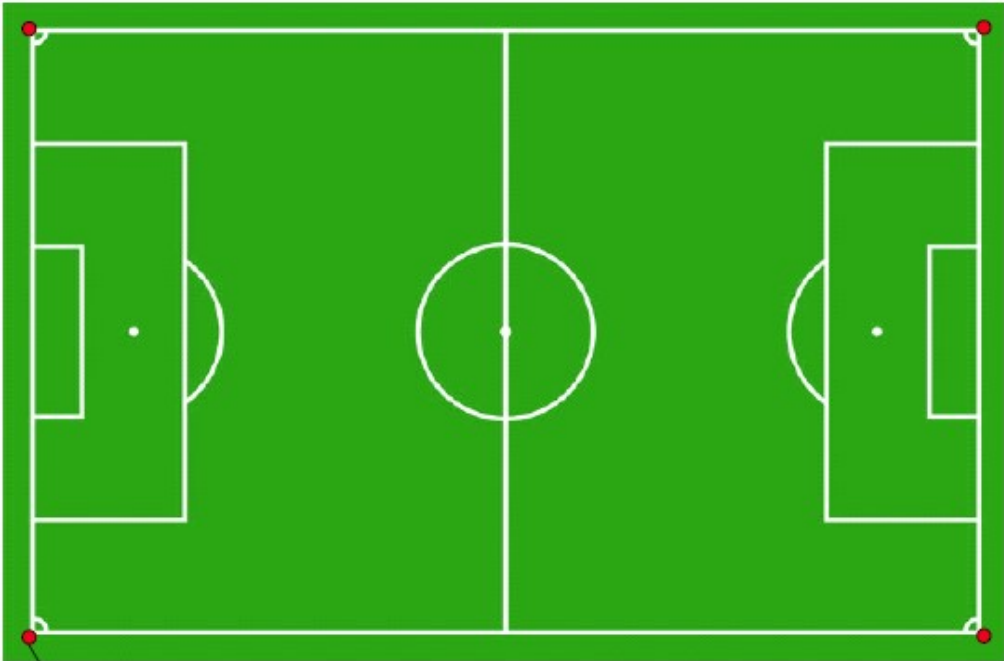
- 2 x larger nets fitted to the goalposts.
- One edge of the side netting is longer than the other edge – the longer edge runs vertically, the shorter edge horizontally along the ground
- Hook net corners over the posts
- **Longer** Velcro straps close all gaps between the net and posts (important!) – 3 per crossbar, 2 per post.
- Pegs in each lower corner of the net and one in the middle.
- Corner flags positioned as per the diagram below
- A final check of the field for rubbish, sticks, rocks, ...and doggy-doo!
- ***Please return the keys to the key safe immediately after the ground has been dressed, ready for the 'Undress' roster.***

**Berry 3 Goal**





**Flag Positions**



## **Un-dressing the Grounds**

The reverse procedure... (but no need to replace the doggy-doo).

- Retrieve the keys as per the instructions above.
- Fold the nets neatly and place back into the wheely-bin
- Wrap the Velcro straps individually around the bin handle
- Use a spare peg to pull out the net corner pegs by hooking it through the top of the embedded peg and pulling hard.
- Pegs and hammer back in the bucket
- Bin, bucket and flags back in the disabled toilet
- Lock up all doors and the ambulance gate.
- Return the keys to the key safe.

### **Problems?**

Grounds Officer: Kerrie Starbuck 0421 375 208

Club President: Bruce Parker 0410 338 839